



IDUK are market leaders in cutting edge dome technology. Using integrated dome design expertise and the latest in projection technology, our image generation and corrective software creates a complete visual presentation solution.

The immersaVu™ 300 is a composite moulded panadome screen providing rigidity strength and lightweight construction that incorporates all its display hardware into a single unit.



Product Uses

Simulation
Gaming
Content Creation
Education
Architectural
Museum
Kiosk
Training

Projection

Optical Mirror

Weight

100kgs

Assembly Time

1-2 Hours

Lead Time

3 Weeks

Price

POA

The rigid 320cm panadome screen combined with the 4K e-shift projector and supplied geometry correction and warping software makes the immersaVu 300 the ideal solution for large scale, high resolution visual display.

The simplicity of a single projector eliminates the need for edge blending and colour matching and the immersaVu 300 is virtually maintenance free.

- 60° X 170° wide field of view
- 320cm diameter
- Network compatible
- Single projector
- Easy assembly and set up
- 3840 X 2160 (e-shift) resolution
- Integral warping and geometry correction
- Compatible with Windows 7
- Up to 5 users

Immersive Display Group

Unit 5, Wick Road Business Park, Burnham-on-Crouch, Essex CM0 8LT

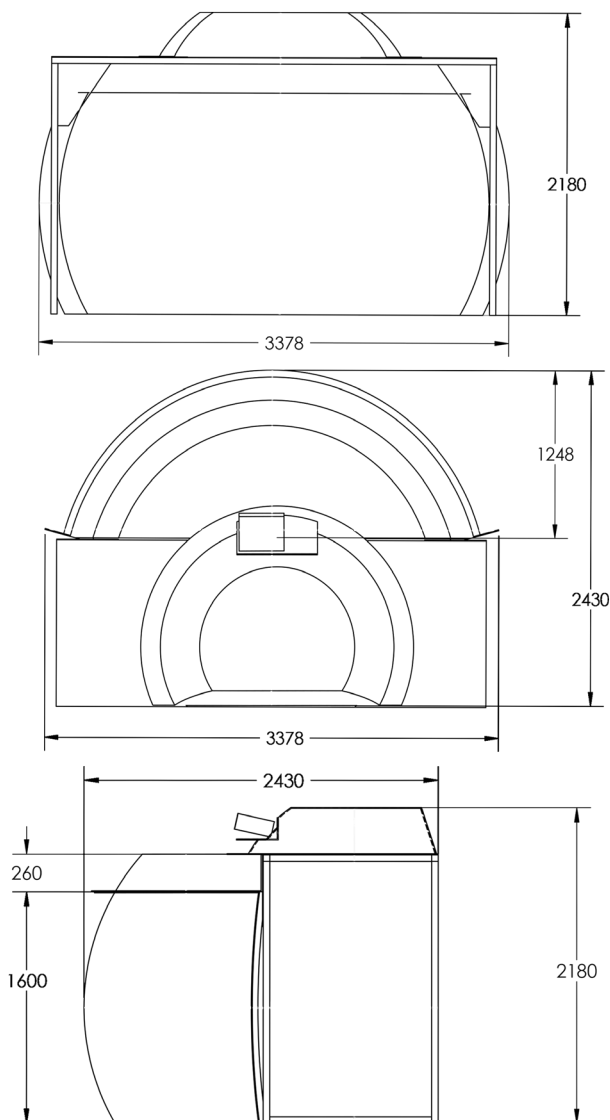
Tel: +44 (0)1621 781119 Fax +44 (0)1621 783555

www.ImmersiveDisplay.co.uk

The dome is manufactured from moulded glass reinforced plastic (GRP). The robust and rigid assembly supports an aluminium framework which holds the projection hardware and optical mirror.

The projection support structure can be modified for a range of alternative projection systems and provides for future proofing and projector upgrade.

The integral image warping and geometry correction software allows for the distortion free display of a range of content types including panoramic wide screen movies, wide screen games and real time simulation applications



The system is easy to set up and ships with all components for immediate use.

The immersaVu 300 includes:

- Panadome screen and hardware mounts
- Projector and immersive optics
- Aluminium structure support
- Warping and geometry correction software
- All signal cables
- Setup manual and tools
- Integral 1010M PC or user defined